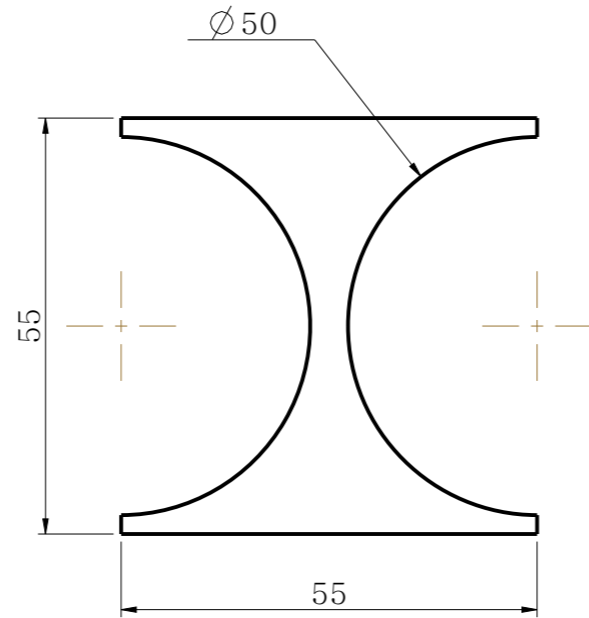


NO	PART DRAWING NO.	DESCRIPTION	MATERIAL	DIMENSION	Q'TY	COLOR/FINISH	TREATMENT
1	E53-0199-0111	55X55X1000	silicone		10		



Rev Nr.	DATE	SIGN	DESCRIPTION OF CHANGE				REASON OF CHANGE		
			UNIT	mm	SCALE	1/1	MODEL	TWF170AT	
			DATE	17-09-27	SIZE	A3(420 X 297)	MAIN ASS'Y	#0100	
			DRAWN	DESIGN	CHECKED	APPROV	PRODUCT NAME	55X55X1000 (1/1)	
			TechWing INC.				DRAWING NO.	E53-0199-0111	REV

설계담당 CHECK	항목	주요공차	수량	상대물 취부 HOLE, TAP	재질	ASSEMBLY 적용

본 도면은 (주)테크윙에서 제작된 것으로 당사의 기술자료인바 사전 승인없이 무단복사 및 외부로의 유출을 엄금함
All right reserved. No part of this drawing may be copied, reproduced and transmitted in any forms or by any means without written permission of Techwing INC.

대외비
CONFIDENTAIL